



**SAVE TIME
AND MONEY**

MINT
REFRIGERATION MADE EASY

- > **Easy to install**
- > **Reliable quality**
- > **Quiet operation**
- > **All weather**
- > **High ambient**
- > **Easy to service**
- > **Australian product support and parts**
- > **Large range**



Want to know more?

Contact us on 07 3823 4026

KOLDBAK
• Refrigeration Wholesalers • Designers • Engineers

ENCLOSED CONDENSING UNITS FRACTIONAL HORSE POWER



EMC - ENCLOSED CONDENSING UNITS

EMC Embraco packaged condensing units are designed for commercial refrigeration at medium and low temperatures.

- ▶ Noise insulated case for quiet operation
- ▶ Danfoss dual pressure control
- ▶ Danfoss liquid line drier
- ▶ Danfoss sight glass
- ▶ Powder coated galvanised housing
- ▶ Crank case heater
- ▶ Large condensers
- ▶ Receiver
- ▶ Oil separator
- ▶ Shut off valve for liquid and suction line
- ▶ Fully wired with isolator

R404A/R449A MEDIUM/HIGH BACK PRESSURE WITH EMBRACO COMPRESSOR

| STOCK CODE | MODEL | VOLTAGE | NOM. HP | AMBIENT °C | COOLING CAPACITY KW | | | | | DIMENSIONS (mm) | | | TOTAL MRA | PIPE SIZE | | NOISE dBA - 10m |
|------------|----------|---------|---------|------------|---------------------|-----|-----|-----|-----|-----------------|-----|-----|-----------|-----------|---------|-----------------|
| | | | | | -15 | -10 | -5 | 0 | 5 | W | D | H | | LIQUID | SUCTION | |
| AGQ1190 | EMC17-1M | 240 | 1/2 | 35 | 1.0 | 1.3 | 1.5 | 1.8 | 2.1 | 805 | 450 | 650 | 5.60 | 3/8 | 1/2 | 33 |
| | | | | 40 | 0.9 | 1.1 | 1.4 | 1.7 | 2.0 | | | | | | | |
| AGQ1200 | EMC22-1M | 240 | 3/4 | 35 | 1.2 | 1.5 | 1.9 | 2.3 | 2.5 | 805 | 450 | 650 | 6.16 | 3/8 | 1/2 | 33 |
| | | | | 40 | 1.1 | 1.4 | 1.7 | 2.1 | 2.3 | | | | | | | |
| AGQ1220 | EMC26-1M | 240 | 3/4 | 35 | 1.7 | 2.1 | 2.6 | 3.1 | 3.5 | 805 | 450 | 650 | 6.96 | 3/8 | 1/2 | 33 |
| | | | | 40 | 1.5 | 2.0 | 2.4 | 2.9 | 3.2 | | | | | | | |
| AGQ1240 | EMC32-1M | 240 | 1-1/4 | 35 | 2.0 | 2.5 | 3.1 | 3.7 | 4.4 | 805 | 450 | 650 | 8.36 | 3/8 | 5/8 | 36 |
| | | | | 40 | 1.9 | 2.3 | 2.8 | 3.4 | 3.9 | | | | | | | |
| AGQ1260 | EMC38-1M | 240 | 1-1/2 | 35 | 2.5 | 3.0 | 3.6 | 4.2 | 4.9 | 805 | 450 | 650 | 10.66 | 3/8 | 5/8 | 36 |
| | | | | 40 | 2.2 | 2.7 | 3.2 | 3.9 | 4.5 | | | | | | | |

R134a MEDIUM/HIGH BACK PRESSURE WITH EMBRACO COMPRESSOR

| STOCK CODE | MODEL | VOLTAGE | NOM. HP | AMBIENT °C | COOLING CAPACITY KW | | | | | DIMENSIONS (mm) | | | TOTAL MRA | PIPE SIZE | | NOISE dBA - 10m |
|------------|----------|---------|---------|------------|---------------------|-----|-----|-----|-----|-----------------|-----|-----|-----------|-----------|---------|-----------------|
| | | | | | -15 | -10 | -5 | 0 | 5 | W | D | H | | LIQUID | SUCTION | |
| AGQ1360 | EMC20-1H | 240 | 3/4 | 35 | 1.1 | 1.3 | 1.6 | 1.9 | 2.3 | 805 | 450 | 650 | 6.46 | 3/8 | 1/2 | 33 |
| | | | | 40 | 1.0 | 1.2 | 1.5 | 1.8 | 2.1 | | | | | | | |
| AGQ1380 | EMC26-1H | 240 | 1 | 35 | 1.6 | 1.9 | 2.3 | 2.8 | 3.3 | 805 | 450 | 650 | 6.86 | 3/8 | 5/8 | 36 |
| | | | | 40 | 1.4 | 1.7 | 2.0 | 2.4 | 2.9 | | | | | | | |

R404A/R449A LOW BACK PRESSURE WITH EMBRACO COMPRESSOR

| STOCK CODE | MODEL | VOLTAGE | NOM. HP | AMBIENT °C | COOLING CAPACITY KW | | | | | DIMENSIONS (mm) | | | TOTAL MRA | PIPE SIZE | | NOISE dBA - 10m |
|------------|----------|---------|---------|------------|---------------------|-----|-------|-----|-----|-----------------|-----|-----|-----------|-----------|---------|-----------------|
| | | | | | -30 | -25 | -23.3 | -20 | -15 | W | D | H | | LIQUID | SUCTION | |
| AGQ1300 | EMC92-1L | 240 | 1-1/4 | 35 | 0.8 | 1.1 | 1.2 | 1.5 | 1.8 | 805 | 450 | 650 | 6.36 | 3/8 | 5/8 | 33 |
| | | | | 40 | 0.8 | 1.0 | 1.1 | 1.3 | 1.7 | | | | | | | |
| AGQ1320 | EMC12-1L | 240 | 1-1/2 | 35 | 1.1 | 1.5 | 1.7 | 2.0 | 2.5 | 805 | 450 | 650 | 8.66 | 3/8 | 5/8 | 33 |
| | | | | 40 | 1.1 | 1.4 | 1.5 | 1.8 | 2.3 | | | | | | | |

Ratings based on 11k suction superheat / 3k subcooling
 For 38° ambient ratings - multiply 35° c by 0.94
 For 43° ambient ratings - multiply 40° c by 0.94

Version 2, Oct 2024
 Range upgrade & model name change

ENCLOSED CONDENSING UNITS MEDIUM TEMP SCROLLS



R448A/R449A MEDIUM/HIGH BACK PRESSURE WITH COPELAND ZB COMPRESSOR

| STOCK CODE | MODEL | VOLTAGE | NOM. HP | AMBIENT °C | COOLING CAPACITY KW | | | | | DIMENSIONS (mm) | | | WEIGHT KG | TOTAL MRA | PIPE SIZE | | NOISE dist = 10m dBA |
|------------|-----------|---------|---------|------------|---------------------|------|------|------|------|-----------------|-----|------|-----------|-----------|-----------|---------|----------------------|
| | | | | | -15 | -10 | -5 | 0 | 5 | W | D | H | | | LIQUID | SUCTION | |
| AGQ0020 | EMF15-1M | 240 | 2 | 35 | 2.8 | 3.6 | 4.9 | 5.3 | 6.5 | 1035 | 550 | 750 | 85 | 13.55 | 3/8 | 3/4 | 48 |
| | | | | 40 | 2.6 | 2.6 | 3.9 | 4.8 | 5.8 | | | | | | | | |
| AGQ0060 | EMF19-1M | 240 | 2.3 | 35 | 3.5 | 4.4 | 5.3 | 6.5 | 7.9 | 1235 | 605 | 900 | 88 | 13.71 | 3/8 | 3/4 | 50 |
| | | | | 40 | 3.2 | 3.2 | 4.8 | 5.9 | 7.2 | | | | | | | | |
| AGQ0080 | EMF21-1M | 240 | 2.7 | 35 | 4.2 | 5.3 | 6.4 | 7.8 | 9.6 | 1235 | 605 | 900 | 91 | 17.62 | 3/8 | 3/4 | 50 |
| | | | | 40 | 3.8 | 3.9 | 5.8 | 7.1 | 8.6 | | | | | | | | |
| AGQ0082 | EMF26-1M | 240 | 3 | 35 | 4.9 | 6.2 | 7.5 | 9.2 | 11.2 | 1235 | 605 | 900 | 93 | 19.22 | 1/2 | 3/4 | 50 |
| | | | | 40 | 4.5 | 4.5 | 6.8 | 8.3 | 10.1 | | | | | | | | |
| AGQ0085 | EMF15-3M | 415 | 2 | 35 | 2.8 | 3.6 | 4.4 | 5.3 | 6.5 | 1035 | 550 | 750 | 85 | 5.52 | 3/8 | 3/4 | 48 |
| | | | | 40 | 2.6 | 2.6 | 3.9 | 4.8 | 5.8 | | | | | | | | |
| AGQ0090 | EMF19-3M | 415 | 2.3 | 35 | 3.5 | 4.4 | 5.3 | 6.5 | 7.9 | 1235 | 605 | 900 | 88 | 7.70 | 3/8 | 3/4 | 50 |
| | | | | 40 | 3.2 | 3.2 | 4.8 | 5.9 | 7.2 | | | | | | | | |
| AGQ0100 | EMF21-3M | 415 | 2.7 | 35 | 4.2 | 5.3 | 6.4 | 7.8 | 9.6 | 1235 | 605 | 900 | 91 | 8.11 | 3/8 | 3/4 | 50 |
| | | | | 40 | 3.8 | 3.9 | 5.8 | 7.1 | 8.6 | | | | | | | | |
| AGQ0120 | EMF26-3M | 415 | 3 | 35 | 4.9 | 6.2 | 7.5 | 9.2 | 11.2 | 1235 | 605 | 900 | 93 | 9.81 | 1/2 | 3/4 | 50 |
| | | | | 40 | 4.5 | 4.5 | 6.8 | 8.3 | 10.1 | | | | | | | | |
| AGQ0140 | EMF29-3M | 415 | 3.5 | 35 | 5.9 | 7.3 | 8.8 | 10.6 | 12.6 | 1355 | 605 | 1200 | 135 | 12.12 | 1/2 | 7/8 | 52 |
| | | | | 40 | 5.4 | 6.7 | 8.0 | 9.6 | 11.4 | | | | | | | | |
| AGQ0160 | EMF38-3M | 415 | 4 | 35 | 7.4 | 9.2 | 11.0 | 13.2 | 15.7 | 1355 | 605 | 1200 | 141 | 14.62 | 1/2 | 7/8 | 53 |
| | | | | 40 | 6.7 | 8.2 | 9.9 | 11.9 | 14.2 | | | | | | | | |
| AGQ0180 | EMF45-3M | 415 | 5 | 35 | 8.7 | 10.7 | 12.9 | 15.5 | 18.4 | 1355 | 605 | 1200 | 148 | 14.92 | 1/2 | 7/8 | 53 |
| | | | | 40 | 7.6 | 9.4 | 11.3 | 13.5 | 16.1 | | | | | | | | |
| AGQ0200 | EMF48-3M | 415 | 6 | 35 | 9.7 | 11.9 | 14.3 | 17.2 | 20.4 | 1355 | 605 | 1200 | 155 | 15.82 | 1/2 | 7/8 | 53 |
| | | | | 40 | 8.7 | 10.7 | 12.9 | 15.5 | 18.4 | | | | | | | | |
| AGQ0220 | EMF58-3M | 415 | 8 | 35 | 11.6 | 14.3 | 17.2 | 20.6 | 24.6 | 1455 | 605 | 1300 | 162 | 20.40 | 5/8 | 1 1/8 | 57 |
| | | | | 40 | 10.5 | 12.9 | 15.5 | 18.6 | 22.2 | | | | | | | | |
| AGQ0240 | EMF66-3M | 415 | 9 | 35 | 13.0 | 16.0 | 19.2 | 23.0 | 27.5 | 1455 | 605 | 1300 | 165 | 22.50 | 5/8 | 1 1/8 | 57 |
| | | | | 40 | 11.7 | 14.4 | 17.3 | 20.8 | 24.7 | | | | | | | | |
| AGQ0260 | EMF76-3M | 415 | 10 | 35 | 15.5 | 19.1 | 22.9 | 27.5 | 32.7 | 2080 | 770 | 1360 | 317 | 25.40 | 5/8 | 1 3/8 | 57 |
| | | | | 40 | 13.9 | 17.2 | 20.6 | 24.7 | 29.5 | | | | | | | | |
| AGQ0280 | EMF95-3M | 415 | 12 | 35 | 20.1 | 24.8 | 29.8 | 35.8 | 42.6 | 2080 | 770 | 1360 | 328 | 38.20 | 5/8 | 1 3/8 | 48 |
| | | | | 40 | 18.1 | 22.3 | 26.8 | 32.2 | 38.3 | | | | | | | | |
| AGQ0300 | EMF114-3M | 415 | 15 | 35 | 23.2 | 28.7 | 34.4 | 41.3 | 49.2 | 2080 | 770 | 1360 | 331 | 43.30 | 5/8 | 1 3/8 | 52 |
| | | | | 40 | 20.9 | 25.8 | 31.0 | 37.2 | 44.3 | | | | | | | | |

Ratings based on 11k suction superheat / 3k subcooling
 For 38° ambient ratings - multiply 35° c by 0.94
 For 43° ambient ratings - multiply 40° c by 0.94

Fan speed control option is recommended for low temperature and R134a applications.
 To avoid compressor damage, suction superheat must be equal to 10k.

| APPLICATION | CONVERSION TABLE | | | |
|-------------|------------------|--------------|-------|--------------|
| | REFRIGERANT | | | |
| | R404A | R449A (XP40) | R134a | R513a (XP10) |
| +5sst | 1 | 1.01 | 0.65 | 0.65 |
| -5sst | 1 | 1.00 | 0.61 | 0.63 |
| -25sst | 1 | 0.99 | N/A | N/A |

Use this table for estimating capacities at a constant SCT.

Version 2, Oct 2024
 Range upgrade & model name change

ENCLOSED CONDENSING UNITS MEDIUM TEMP SCROLLS



▶ Fitted fan HP

R134a HIGH BACK PRESSURE WITH COPELAND ZB COMPRESSOR

| STOCK CODE | MODEL | VOLTAGE | NOM. HP | AMBIENT °C | | | | | | DIMENSIONS (MM) | | | WEIGHT KG | TOTAL MRA | PIPE SIZE | |
|------------|-----------|---------|---------|------------|------|------|------|------|------|-----------------|-------|--------|-----------|-----------|-----------|---------|
| | | | | | -15 | -10 | -5 | 0 | 5 | WIDTH | DEPTH | HEIGHT | | | LIQUID | SUCTION |
| AGQ0700 | EMF15-1H | 240 | 2 | 35 | 1.8 | 2.2 | 2.6 | 3.1 | 3.8 | 1035 | 550 | 750 | 85 | 13.55 | 3/8 | 0 3/4 |
| | | | | 40 | 1.6 | 1.9 | 2.3 | 2.8 | 3.3 | | | | | | | |
| AGQ0710 | EMF19-1H | 240 | 2.3 | 35 | 2.2 | 2.7 | 3.2 | 3.9 | 4.6 | 1235 | 605 | 900 | 88 | 13.71 | 3/8 | 0 3/4 |
| | | | | 40 | 1.9 | 2.4 | 2.8 | 3.4 | 4.1 | | | | | | | |
| AGQ0720 | EMF21-1H | 240 | 2.7 | 35 | 2.6 | 3.2 | 3.9 | 4.6 | 5.5 | 1235 | 605 | 900 | 91 | 17.62 | 3/8 | 0 3/4 |
| | | | | 40 | 2.3 | 2.8 | 3.4 | 4.1 | 4.9 | | | | | | | |
| AGQ0730 | EMF26-1H | 240 | 3 | 35 | 3.1 | 3.8 | 4.5 | 5.4 | 6.5 | 1235 | 605 | 900 | 93 | 19.22 | 1/2 | 0 3/4 |
| | | | | 40 | 2.7 | 3.3 | 4.0 | 4.8 | 5.7 | | | | | | | |
| AGQ0750 | EMF15-3H | 415 | 2 | 35 | 1.8 | 2.2 | 2.6 | 3.1 | 3.8 | 1035 | 550 | 750 | 85 | 5.52 | 3/8 | 0 3/4 |
| | | | | 40 | 1.6 | 1.9 | 2.3 | 2.8 | 3.3 | | | | | | | |
| AGQ0760 | EMF19-3H | 415 | 2.3 | 35 | 2.2 | 2.7 | 3.2 | 3.9 | 4.6 | 1235 | 605 | 900 | 88 | 7.70 | 3/8 | 0 3/4 |
| | | | | 40 | 1.9 | 2.4 | 2.8 | 3.4 | 4.1 | | | | | | | |
| AGQ0770 | EMF21-3H | 415 | 2.7 | 35 | 2.6 | 3.2 | 3.9 | 4.6 | 5.5 | 1235 | 605 | 900 | 91 | 8.11 | 3/8 | 0 3/4 |
| | | | | 40 | 2.3 | 2.8 | 3.4 | 4.1 | 4.9 | | | | | | | |
| AGQ0780 | EMF26-3H | 415 | 3 | 35 | 3.1 | 3.8 | 4.5 | 5.4 | 6.5 | 1235 | 605 | 900 | 93 | 9.81 | 1/2 | 0 3/4 |
| | | | | 40 | 2.7 | 3.3 | 4.0 | 4.8 | 5.7 | | | | | | | |
| AGQ0790 | EMF29-3H | 415 | 3.5 | 35 | 3.6 | 4.4 | 5.3 | 6.4 | 7.6 | 1355 | 605 | 1200 | 135 | 12.12 | 1/2 | 0 7/8 |
| | | | | 40 | 3.2 | 3.9 | 4.7 | 5.6 | 6.7 | | | | | | | |
| AGQ0800 | EMF38-3H | 415 | 4 | 35 | 4.5 | 5.5 | 6.6 | 7.9 | 9.4 | 1355 | 605 | 1200 | 141 | 14.62 | 1/2 | 0 7/8 |
| | | | | 40 | 4.0 | 4.9 | 5.9 | 7.1 | 8.4 | | | | | | | |
| AGQ0810 | EMF45-3H | 415 | 5 | 35 | 5.2 | 6.4 | 7.7 | 9.2 | 11.0 | 1355 | 605 | 1200 | 148 | 14.92 | 1/2 | 0 7/8 |
| | | | | 40 | 4.6 | 5.7 | 6.8 | 8.2 | 9.7 | | | | | | | |
| AGQ0820 | EMF48-3H | 415 | 6 | 35 | 5.8 | 7.2 | 8.6 | 10.3 | 12.3 | 1355 | 605 | 1200 | 155 | 15.82 | 1/2 | 0 7/8 |
| | | | | 40 | 5.1 | 6.3 | 7.6 | 9.1 | 10.9 | | | | | | | |
| AGQ0830 | EMF58-3H | 415 | 8 | 35 | 7.0 | 8.7 | 10.4 | 12.5 | 14.9 | 1455 | 605 | 1300 | 162 | 20.40 | 5/8 | 1 1/8 |
| | | | | 40 | 6.2 | 7.7 | 9.2 | 11.0 | 13.2 | | | | | | | |
| AGQ0840 | EMF66-3H | 415 | 9 | 35 | 7.8 | 9.6 | 11.5 | 13.8 | 16.4 | 1455 | 605 | 1300 | 165 | 22.50 | 5/8 | 1 1/8 |
| | | | | 40 | 6.9 | 8.5 | 10.2 | 12.2 | 14.6 | | | | | | | |
| AGQ0850 | EMF76-3H | 415 | 10 | 35 | 9.3 | 11.5 | 13.8 | 16.6 | 19.7 | 2080 | 770 | 1360 | 317 | 25.40 | 5/8 | 1 1/8 |
| | | | | 40 | 8.2 | 10.2 | 12.2 | 14.6 | 17.4 | | | | | | | |
| AGQ0860 | EMF95-3H | 415 | 12 | 35 | 12.1 | 14.9 | 17.9 | 21.5 | 25.6 | 2080 | 770 | 1360 | 328 | 38.20 | 5/8 | 1 3/8 |
| | | | | 40 | 10.7 | 13.2 | 15.8 | 19.0 | 22.6 | | | | | | | |
| AGQ0870 | EMF114-3H | 415 | 15 | 35 | 14.0 | 17.2 | 20.7 | 24.8 | 29.6 | 2080 | 770 | 1360 | 331 | 43.30 | 5/8 | 1 3/8 |
| | | | | 40 | 12.4 | 15.2 | 18.3 | 22.0 | 26.2 | | | | | | | |

Ratings based on 11k suction superheat / 3k subcooling
For 38° ambient ratings - multiply 35°c by 0.94
For 43° ambient ratings - multiply 40°c by 0.94

To avoid compressor damage, suction superheat must be equal to 10k.

ENCLOSED CONDENSING UNITS LOW TEMP UNITS



EMF and EMB - ENCLOSED CONDENSING UNITS

- Noise insulated case and 6 pole fans for quiet operation
- Danfoss dual pressure control
- Danfoss liquid line drier
- Danfoss sight glass
- Powder coated galvanised case
- Crank case heater
- Large condensers
- Receiver
- Oil separator
- Shut off valve for liquid and suction line
- Fully wired with isolator
- Suction Accumulator
- Fan Speed Control

R404A/R449A LOW TEMP SCROLL - LIQUID INJECTION WITH COPELAND ZSI COMPRESSOR

| STOCK CODE | MODEL | VOLTAGE | NOM. HP | AMBIENT °C | COOLING CAPACITY KW | | | | DIMENSIONS (mm) | | | TOTAL MRA | PIPE SIZE | | NOISE dBA-10m |
|------------|----------|---------|---------|------------|---------------------|-----|-----|------|-----------------|-----|------|-----------|-----------|---------|---------------|
| | | | | | -30 | -25 | -20 | 15 | W | D | H | | LIQUID | SUCTION | |
| AGQ2020 | EMF08-1L | 240 | 2.5 | 35 | 2.1 | 2.5 | 3.0 | 3.5 | 1235 | 565 | 900 | 19.00 | 3/8 | 3/4 | 33 |
| | | | | 40 | 1.9 | 2.3 | 2.7 | 3.2 | | | | | | | |
| AGQ2030 | EMF08-3L | 415 | 2.5 | 35 | 2.1 | 2.5 | 3.0 | 3.5 | 1235 | 565 | 900 | 9.00 | 3/8 | 3/4 | 33 |
| | | | | 40 | 1.9 | 2.3 | 2.7 | 3.2 | | | | | | | |
| AGQ2040 | EMF09-3L | 415 | 3.0 | 35 | 2.4 | 2.9 | 3.6 | 4.2 | 1235 | 565 | 900 | 9.00 | 3/8 | 3/4 | 33 |
| | | | | 40 | 2.2 | 2.7 | 3.2 | 3.8 | | | | | | | |
| AGQ2060 | EMF11-3L | 415 | 4 | 35 | 3.1 | 3.7 | 4.5 | 5.3 | 1235 | 565 | 900 | 13.00 | 1/2 | 7/8 | 39 |
| | | | | 40 | 2.8 | 3.4 | 4.1 | 4.8 | | | | | | | |
| AGQ2080 | EMF14-3L | 415 | 4.5 | 35 | 3.8 | 4.6 | 5.6 | 6.6 | 1235 | 565 | 900 | 13.00 | 1/2 | 7/8 | 41 |
| | | | | 40 | 3.5 | 4.2 | 5.1 | 6.0 | | | | | | | |
| AGQ2100 | EMF15-3L | 415 | 5 | 35 | 4.4 | 5.3 | 6.5 | 7.6 | 1355 | 565 | 1200 | 15.00 | 1/2 | 7/8 | 41 |
| | | | | 40 | 4.0 | 4.8 | 5.9 | 6.9 | | | | | | | |
| AGQ2120 | EMF18-3L | 415 | 6 | 35 | 5.4 | 6.5 | 7.9 | 9.2 | 1355 | 565 | 1200 | 17.00 | 1/2 | 7/8 | 43 |
| | | | | 40 | 4.9 | 5.9 | 7.2 | 8.4 | | | | | | | |
| AGQ2140 | EMF21-3L | 415 | 7.5 | 35 | 6.0 | 7.3 | 8.9 | 10.3 | 1355 | 565 | 1200 | 22.00 | 1/2 | 7/8 | 43 |
| | | | | 40 | 5.5 | 6.6 | 8.1 | 9.4 | | | | | | | |

Depth includes feet and fan guard, see drawing on the following page

R404A/R449A LOW TEMP WITH MANEUROP COMPRESSOR

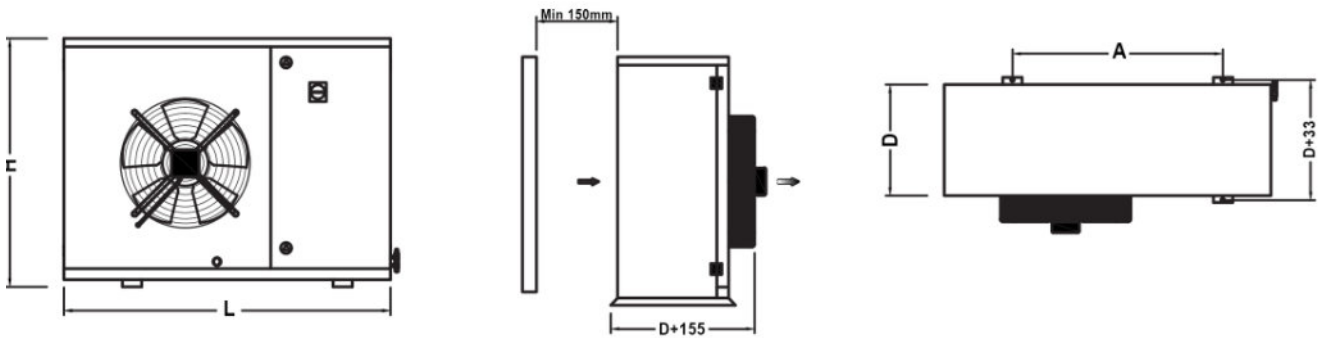
| STOCK CODE | MODEL | VOLTAGE | NOM. HP | AMBIENT °C | COOLING CAPACITY KW | | | | DIMENSIONS (mm) | | | TOTAL MRA | PIPE SIZE | | NOISE dBA-10m |
|------------|-----------|---------|---------|------------|---------------------|------|------|------|-----------------|-----|------|-----------|-----------|---------|---------------|
| | | | | | -30 | -25 | -20 | 15 | W | D | H | | LIQUID | SUCTION | |
| AGQ2510 | EMB68-1L | 240 | 1.8 | 35 | 2.1 | 2.8 | 3.0 | 3.5 | 1235 | 500 | 900 | 18.00 | 3/8 | 5/8 | 47 |
| | | | | 40 | 1.8 | 2.4 | 2.6 | 3.1 | | | | | | | |
| AGQ2520 | EMB68-3L | 415 | 2.0 | 35 | 2.1 | 2.8 | 3.0 | 3.5 | 1235 | 500 | 900 | 10.00 | 3/8 | 5/8 | 47 |
| | | | | 40 | 1.8 | 2.4 | 2.6 | 3.1 | | | | | | | |
| AGQ2560 | EMB108-3L | 415 | 3.7 | 35 | 3.1 | 4.0 | 4.4 | 5.1 | 1355 | 500 | 1200 | 14.00 | 1/2 | 7/8 | 48 |
| | | | | 40 | 2.6 | 3.5 | 3.8 | 4.4 | | | | | | | |
| AGQ2580 | EMB136-3L | 415 | 4 | 35 | 4.0 | 5.2 | 5.7 | 6.7 | 1355 | 500 | 1200 | 17.00 | 1/2 | 1 1/8 | 48 |
| | | | | 40 | 3.4 | 4.6 | 5.0 | 5.9 | | | | | | | |
| AGQ2600 | EMB215-3L | 415 | 7.3 | 35 | 6.0 | 7.9 | 8.7 | 10.1 | 2080 | 600 | 1360 | 27.10 | 5/8 | 1 1/8 | 50 |
| | | | | 40 | 5.1 | 6.8 | 7.5 | 8.8 | | | | | | | |
| AGQ2620 | EMB271-3L | 415 | 8.3 | 35 | 8.3 | 10.9 | 11.9 | 13.8 | 2080 | 600 | 1360 | 32.00 | 5/8 | 1 1/8 | 50 |
| | | | | 40 | 7.2 | 9.5 | 10.4 | 12.0 | | | | | | | |

Ratings based on 11k suction superheat / 3k subcooling
For 38° ambient ratings - multiply 35° c by 0.94
For 43° ambient ratings - multiply 40° c by 0.94

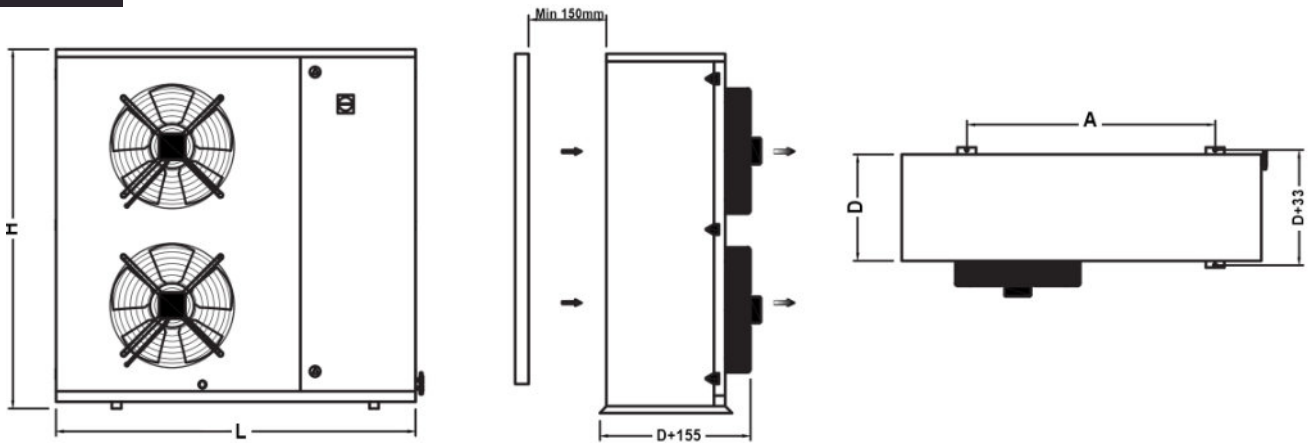
Depth includes feet and fan guard, see drawing on the following page

ENCLOSED CONDENSING UNITS BOX DIMENSIONS

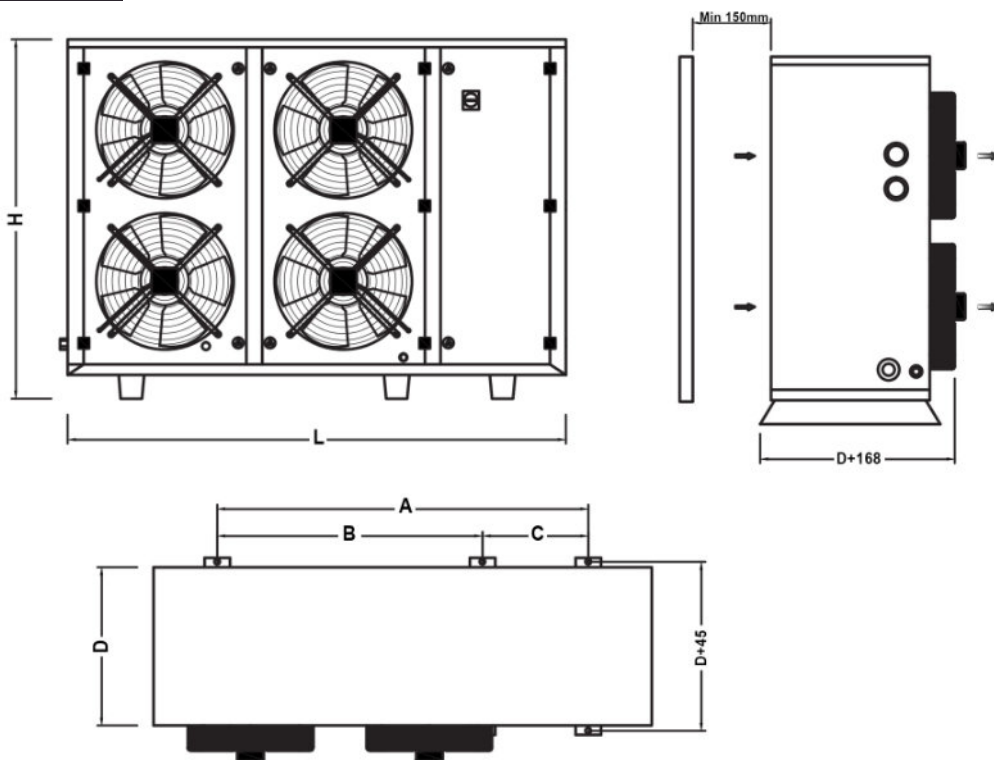
DRAWING 1



DRAWING 2



DRAWING 3



See next page
for model dimensions

ENCLOSED CONDENSING UNITS

BOX DIMENSIONS

| MODEL | DRAWING | FANS | | | DIMENSIONS mm | | | | |
|--------------------------|---------|---------|-----|------|---------------|------|------|-----|-----|
| | | SIZE mm | QTY | L | D | H | A | B | C |
| EMC Range | 1 | 350 | 1 | 805 | 400 | 650 | 546 | - | - |
| EMC15 - 1M/3M | 1 | 400 | 1 | 1385 | 400 | 750 | 562 | - | - |
| EMF19 - EMF26 - 1M/3M | 1 | 450 | 1 | 1235 | 450 | 900 | 742 | - | - |
| EMF08 - 1L/3L - EMF14-3L | 1 | 450 | 1 | 1235 | 450 | 900 | 742 | - | - |
| EMB68 | 1 | 450 | 1 | 1235 | 450 | 900 | 742 | - | - |
| EMF29 - EMF48 | 2 | 450 | 2 | 1355 | 450 | 1200 | 862 | - | - |
| EMF15-3L - EMF21-3L | 2 | 450 | 2 | 1355 | 450 | 1200 | 862 | - | - |
| EMB108 - EMB136 | 2 | 450 | 2 | 1355 | 450 | 1200 | 862 | - | - |
| EMF58 - EMF66 | 2 | 500 | 2 | 1455 | 450 | 1300 | 962 | - | - |
| EMF76 - EMF114 | 3 | 450 | 4 | 2080 | 600 | 1360 | 1380 | 900 | 480 |
| EMB215 - EMB271 | 3 | 450 | 4 | 2080 | 600 | 1360 | 1380 | 900 | 480 |



Top Discharge Enclosed Units available in our Semi-Hermetic Range

Version 2, Oct 2024
Range upgrade & model name change