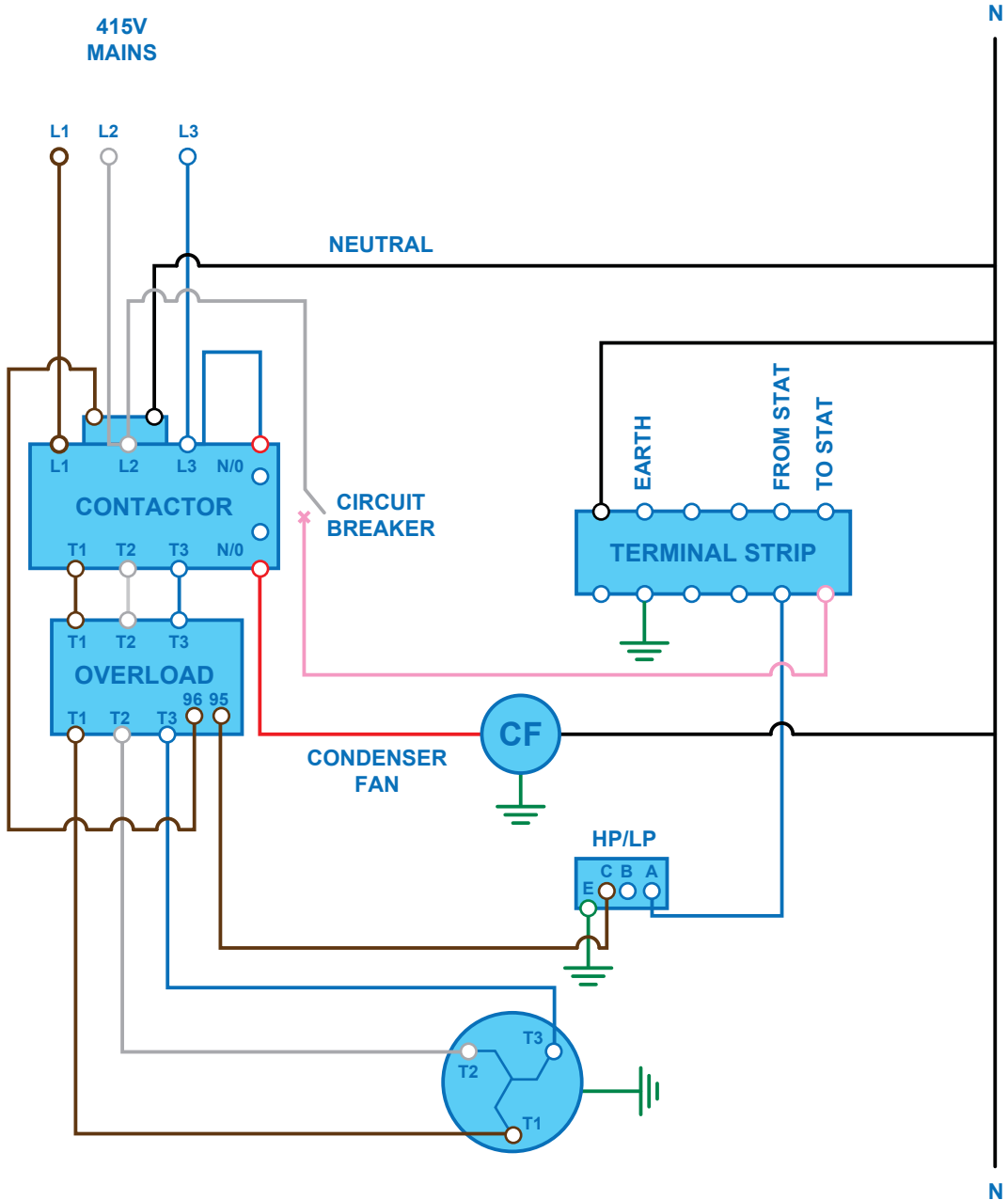


**STANDARD UNIT**



ALL DIAGRAMS ARE INTENDED AS A GUIDE ONLY AND ARE TO BE USED ONLY BY A QUALIFIED ELECTRICAL TECHNICIAN. CIRCUMSTANCES IN THE FIELD MAY VARY AND AS SUCH NO RESPONSIBILITY IS TAKEN.