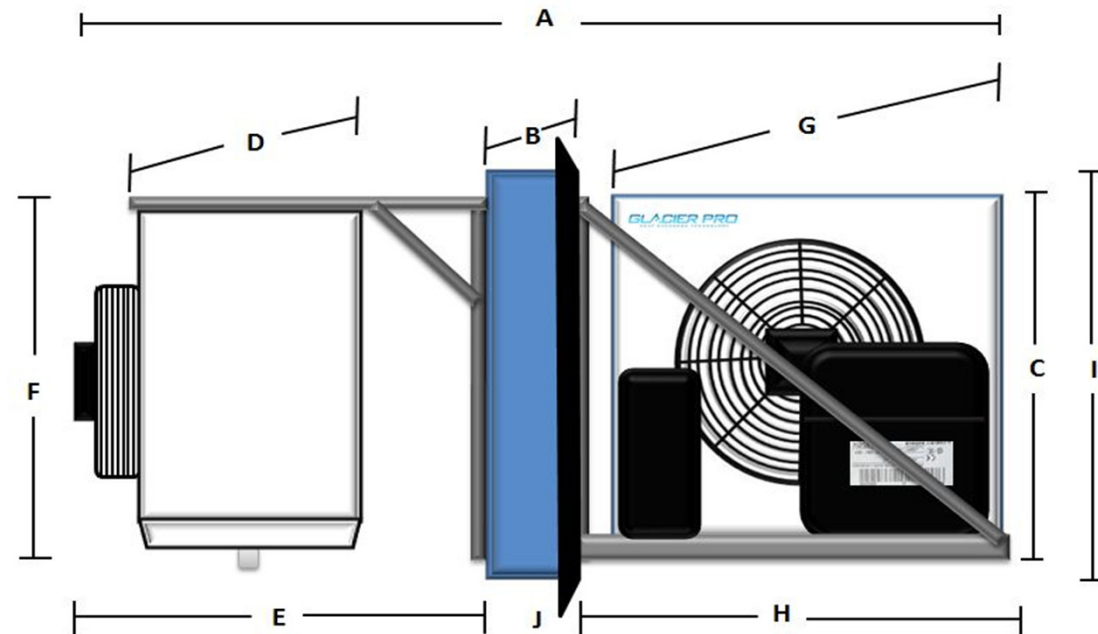


MEDIUM TEMP

PLUG	CAPACITY 38 AMB -5 -25		VOLTAGE	AMPS	OVERALL LENGTH	PLUG WIDTH mm	PLUG HEIGHT mm	EVAPORATOR WIDTH	INTERIOR DEPTH W/ FAN	EVAPORATOR HEIGHT	UNIT WIDTH mm	EXT DEPTH mm	UNIT HEIGHT	STANDARD PANEL THICKNESS	WEIGHT KG	HOLE SIZE
					A	B	C	D	E	F	G	H	I	J		
GP6217/GP025-13	1.4		240	6.1	1245	720	485	630	690	395	610	480	395	75	TBC	760 x 525
GP6220/GP025-14	1.7		240	6.6	1365	720	485	630	690	395	610	600	455	75	TBC	760 x 525
GP9226/GP025-15	2.3		240	7.4	1365	720	485	630	690	395	610	600	455	75	TBC	760 x 525
GP9232/GP030-14	2.8		240	8.8	1400	790	595	700	725	505	610	600	495	75	TBC	830 x 635
GP9238/GP030-15	3.4		240	11.1	1400	790	595	700	725	505	610	600	495	75	TBC	830 x 635

LOW TEMP

GP2192/GP025-15E		1.1	240	7	1270	720	485	630	690	395	610	480	395	100	TBC	760 x 525
GP2212/GP030-14E		1.5	240	8.3	1425	790	595	700	725	505	610	600	455	100	TBC	830 x 635



CAN'T FIND WHAT YOU NEED? CUSTOM SIZES AVAILABLE!

GLACIER PRO SLIDE IN UNITS ARE DESIGNED AND MANUFACTURED IN AUSTRALIA. THESE UNITS ARE CONSTRUCTED WITH AUSTRALIA'S HARSH CLIMATE IN MIND, MAKING THEM SUITABLE IN THE LEAST FORGIVING CONDITIONS

GLACIER PRO SLIDE IN UNITS COME ASSEMBLED FOR QUICK & EASY INSTALLATION. THEY OFFER PEACE OF MIND WHILE MAKING SOUND ECONOMICAL SENSE

WHEN IT COMES TO THE HIGHEST QUALITY SLIDE IN UNITS...

There's only one choice...

THE PROFESSIONAL CHOICE