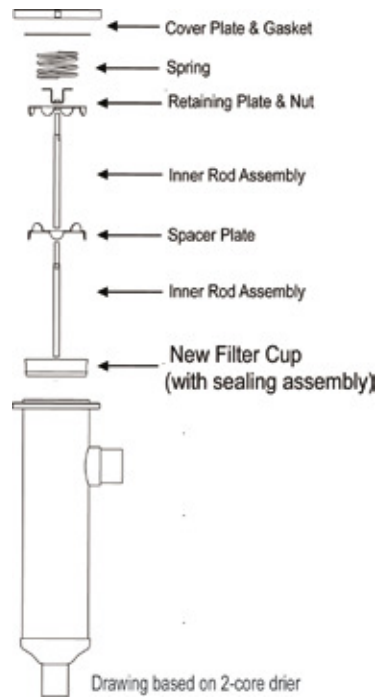


## Introduction

Heldon's range of demountable filter drier shells are designed to be used in both the liquid and suction lines of refrigeration and air-conditioning systems using fluorinated refrigerants.

Shells are made from steel tube with solid copper connectors, R-717 rated shells with steel connectors are available on request. Shells have a corrosion resistant powder coat finish. Test certificates are available on request.

**The new Heldon Demountable Drier comes with a unique filter cup - this cleans the internal wall as you remove the assembly during service.**



## Features

### Features

- Full range from 10kW to 509kW.
- Aluminium end plate option.
- Stainless steel mesh.
- Standardized to replace other manufactures units and cores.
- Solid copper full flow connections.
- Powder coated shell rated to 3600Kpa.

### Benefits

- Larger range to suit most applications.
- Increased operating life in low temp applications.
- Secondary particle filtration and retention.
- Drop in replacement for other common makes and will accept most cores.
- Easier installation and minimum  $\Delta$ pd.
- Suitable for harsh environments and high pressure applications.

## Manufacturing Standards

Manufactured to AS2971  
Safe Working Pressure: 4,200 kPa



## Dimensions and Capacities

| 3017 Series Drier Shells |           |       |     | Capacities kW |       |
|--------------------------|-----------|-------|-----|---------------|-------|
| Connection               | Part No.  | Cores | R22 | Liquid Line   |       |
|                          |           |       |     | R134A         | R404A |
| 7/8"                     | 3017-1401 | 1     | 157 | 139           | 99    |
| 7/8"                     | 3017-1402 | 2     | 155 | 140           | 100   |
| 7/8"                     | 3017-1403 | 3     | 155 | 140           | 100   |
| 7/8"                     | 3017-1404 | 4     | 155 | 140           | 100   |
| 1 1/8"                   | 3017-1801 | 1     | 206 | 186           | 133   |
| 1 1/8"                   | 3017-1802 | 2     | 240 | 217           | 155   |
| 1 1/8"                   | 3017-1803 | 3     | 394 | 226           | 162   |
| 1 1/8"                   | 3017-1804 | 4     | 394 | 226           | 162   |
| 1 3/8"                   | 3017-2201 | 1     | 259 | 226           | 162   |
| 1 3/8"                   | 3017-2202 | 2     | 326 | 295           | 211   |
| 1 3/8"                   | 3017-2203 | 3     | 400 | 365           | 261   |
| 1 3/8"                   | 3017-2204 | 4     | 415 | 377           | 271   |
| 1 5/8"                   | 3017-2601 | 1     | 259 | 227           | 162   |
| 1 5/8"                   | 3017-2602 | 2     | 326 | 295           | 211   |
| 1 5/8"                   | 3017-2603 | 3     | 400 | 365           | 261   |
| 1 5/8"                   | 3017-2604 | 4     | 415 | 377           | 271   |
| 2 1/8"                   | 3017-3401 | 1     | 259 | 227           | 162   |
| 2 1/8"                   | 3017-3402 | 2     | 396 | 358           | 256   |
| 2 1/8"                   | 3017-3403 | 3     | 424 | 389           | 277   |
| 2 1/8"                   | 3017-3404 | 4     | 509 | 460           | 329   |

| 3010 Series Drier Shells |           |       |     | Capacities kW |      |
|--------------------------|-----------|-------|-----|---------------|------|
| Connection               | Part No.  | Cores | R22 | Liquid Line   |      |
|                          |           |       |     | R134A         | R404 |
| 2 5/8"                   | 3010-4202 | 2     | 396 | 358           | 256  |
| 2 5/8"                   | 3010-4203 | 3     | 424 | 389           | 277  |
| 2 5/8"                   | 3010-4204 | 4     | 509 | 460           | 329  |
| 3"                       | 3010-4802 | 2     | 396 | 358           | 256  |
| 3"                       | 3010-4803 | 3     | 424 | 389           | 277  |
| 3"                       | 3010-4804 | 4     | 509 | 460           | 329  |
| 3 1/8"                   | 3010-5002 | 2     | 396 | 359           | 256  |
| 3 1/8"                   | 3010-5003 | 3     | 424 | 389           | 277  |
| 3 1/8"                   | 3010-5004 | 4     | 509 | 460           | 329  |
| 3 1/4"                   | 3010-5204 | 4     | 509 | 460           | 329  |
| 3 1/2"                   | 3010-5604 | 4     | 509 | 460           | 329  |
| 3 5/8"                   | 3010-5804 | 4     | 509 | 460           | 329  |
| 4"                       | 3010-6404 | 4     | 509 | 460           | 329  |

Liquid capacities based on;  
 Evaporating temp: -15°C  
 Condensing temp: 30°C  
 pd = .07 bar

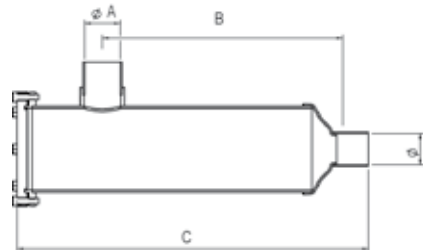
Suction Capacities based on;  
 Evaporating temp: 4.4°C  
 Condensing temp: 32.2°C

### Dimensions 3017 Series

| Part No.  | A inches | B mm | C mm |
|-----------|----------|------|------|
| 3017-1401 | 7/8      | 140  | 269  |
| 3017-1402 | 7/8      | 280  | 409  |
| 3017-1403 | 7/8      | 424  | 553  |
| 3017-1404 | 7/8      | 567  | 696  |
| 3017-1801 | 1 1/8    | 140  | 269  |
| 3017-1802 | 1 1/8    | 280  | 409  |
| 3017-1803 | 1 1/8    | 424  | 553  |
| 3017-1804 | 1 1/8    | 567  | 696  |
| 3017-2201 | 1 3/8    | 140  | 269  |
| 3017-2202 | 1 3/8    | 280  | 409  |
| 3017-2203 | 1 3/8    | 424  | 553  |
| 3017-2204 | 1 3/8    | 567  | 696  |
| 3017-2601 | 1 5/8    | 140  | 269  |
| 3017-2602 | 1 5/8    | 280  | 409  |
| 3017-2603 | 1 5/8    | 424  | 553  |
| 3017-2604 | 1 5/8    | 567  | 696  |
| 3017-3401 | 2 1/8    | 140  | 296  |
| 3017-3402 | 2 1/8    | 280  | 409  |
| 3017-3403 | 2 1/8    | 424  | 553  |
| 3017-3404 | 2 1/8    | 567  | 696  |

### Dimensions 3010 Series

| Part No.  | A inches | B mm | C mm |
|-----------|----------|------|------|
| 3010-4202 | 2 5/8"   | 140  | 269  |
| 3010-4203 | 2 5/8"   | 280  | 409  |
| 3010-4204 | 2 5/8"   | 424  | 553  |
| 3010-4802 | 3"       | 567  | 696  |
| 3010-4803 | 3"       | 140  | 269  |
| 3010-4804 | 3"       | 280  | 409  |
| 3010-5002 | 3 1/8"   | 424  | 553  |
| 3010-5003 | 3 1/8"   | 567  | 696  |
| 3010-5004 | 3 1/8"   | 140  | 269  |
| 3010-5204 | 3 1/4"   | 280  | 409  |
| 3010-5604 | 3 1/2"   | 424  | 553  |
| 3010-5804 | 3 5/8"   | 567  | 696  |
| 3010-6404 | 4"       | 600  | 710  |



### Cores to Suit

| Part No. | Description  | Replaces / interchangeable with  |
|----------|--|--|
| 3050-1   | <b>ULTRA-DRY CORE</b><br>Super high moisture             | Z-48, 48DU, VS-48XH, RCW-48 & UK-48<br>100% MS <b>Ideal for POE Oil.</b>                 |
| 3049-1   | <b>STANDARD CORE</b><br>General clean-up                 | PCK-48, 48 DN, VS48H, RC-4864 & D48<br>80%/ 20% MS/AL <b>Not recommended for POE Oil</b> |
| 3051-1   | <b>BURN-OUT CORE</b><br>Complete clean-up                | PCK-48HH, 48DA, RC-4864-HH, W-48 & VS-48SC 60% /35% /5% MS /AL /AC                       |
| 3050-100 | <b>HI CAPACITY CORE</b><br>Suit 150mm Shells             | H-100, VS-100H, PCK-100<br>100% MS <b>Ideal for POE Oil</b>                              |
| 3050-32  | <b>SUCTION CORE</b><br>Low pressure drop, high flow rate | RPE48BD<br>100% MS <b>Ideal for POE Oil</b>  |
| 3052-2   | <b>FILTER ELEMENT</b><br>Low pressure drop               | RPE48BD, F48R, VS48F, PFE-48BF, 48-F   |

### Internal Kits

| Part No. | Description                                 |           |
|----------|---|-----------|
| 3010-01  | ONE CORE - INTERNAL incl gasket and spring  | OLD STYLE |
| 3010-02  | TWO CORE - INTERNAL incl gasket and spring  | OLD STYLE |
| 3010-03  | THREE CORE- INTERNAL incl gasket and spring | OLD STYLE |
| 3010-04  | FOUR CORE - INTERNAL incl gasket and spring | OLD STYLE |
| 3017-01  | ONE CORE - INTERNAL incl gasket and spring  | NEW STYLE |
| 3017-02  | TWO CORE - INTERNAL incl gasket and spring  | NEW STYLE |
| 3017-03  | THREE CORE- INTERNAL incl gasket and spring | NEW STYLE |
| 3017-04  | FOUR CORE - INTERNAL incl gasket and spring | NEW STYLE |

