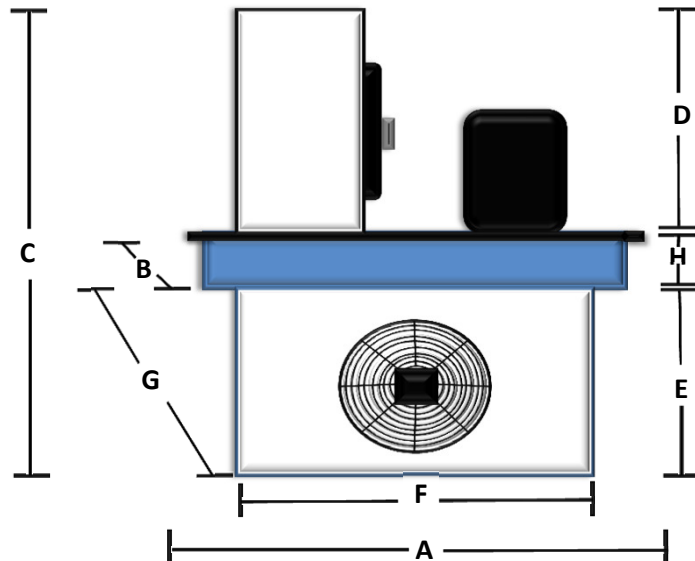


MEDIUM TEMP														
PLUG	CAPACITY 38 AMB -5    -25		VOLTAGE	AMPS	WIDTH	DEPTH	HEIGHT	HEIGHT ABOVE	EVAPORATOR	EVAPORATOR	EVAPORATOR	STANDARD	WEIGHT KG	HOLE SIZE
	mm	mm			mm	PANEL	HEIGHT	WIDTH	DEPTH W/ FAN	PANEL THICKNESS				
					A	B	C	D	E	F	G	H		
GP6217/GP025-13	1.4		240	6.1	790	630	806.6	361.6	370	630	490	75	TBC	830 x 670
GP6220/GP025-14	1.7		240	6.6	790	630	806.6	361.6	370	630	490	75	TBC	830 x 670
GP9226/GP025-15	2.3		240	7.4	790	630	806.6	361.6	370	630	490	75	TBC	830 x 670
GP9232/GP030-14	2.8		240	8.8	790	630	967.4	412.4	480	700	525	75	TBC	830 x 670
GP9238/GP030-15	3.4		240	11.1	790	630	1016.2	461.2	480	700	525	75	TBC	830 x 670
GPZB15/GP030-16	4.1		240	13.8	790	790	1070	515	480	700	525	75	TBC	830 x 830
GPZB19/GP030-24	5.1		240	14.3	1250	790	1020	465	480	1160	525	75	TBC	1290 x 830
LOW TEMP														
GP2192/GP025-15E		1.1	240	7	790	630	881.6	361.6	370	630	490	150	TBC	830 x 670
GP2212/GP030-14E		1.5	240	8.3	790	630	991.6	361.6	480	700	525	150	TBC	830 x 670
GPZB19/GP030-15E		2.1	240	15.8	790	790	1142	512	480	700	525	150	TBC	830 x 830
GPZB21/GP030-16E		2.6	240	18.4	790	790	1150	520	480	1160	525	150	TBC	830 x 830
GPZB26/GP030-24E		3	240	20.1	1250	790	1020	465	480	1160	525	150	TBC	1290 x 830



**CAN'T FIND WHAT YOU NEED? CUSTOM SIZES AVAILABLE!**

GLACIER PRO DROP IN UNITS ARE DESIGNED AND MANUFACTURED IN AUSTRALIA. THESE UNITS ARE CONSTRUCTED WITH AUSTRALIA'S HARSH CLIMATE IN MIND, MAKING THEM SUITABLE IN THE LEAST FORGIVING CONDITIONS

GLACIER PRO DROP IN UNITS COME ASSEMBLED FOR QUICK & EASY INSTALLATION. THEY OFFER PEACE OF MIND WHILE MAKING SOUND ECONOMICAL SENSE

WHEN IT COMES TO THE HIGHEST QUALITY DROP IN UNITS...

*There's only one choice...*

**THE PROFESSIONAL CHOICE**

PLEASE NOTE: CONDENSERS RUN PARALLEL WITH EVAPORATORS FOR ZB MODELS