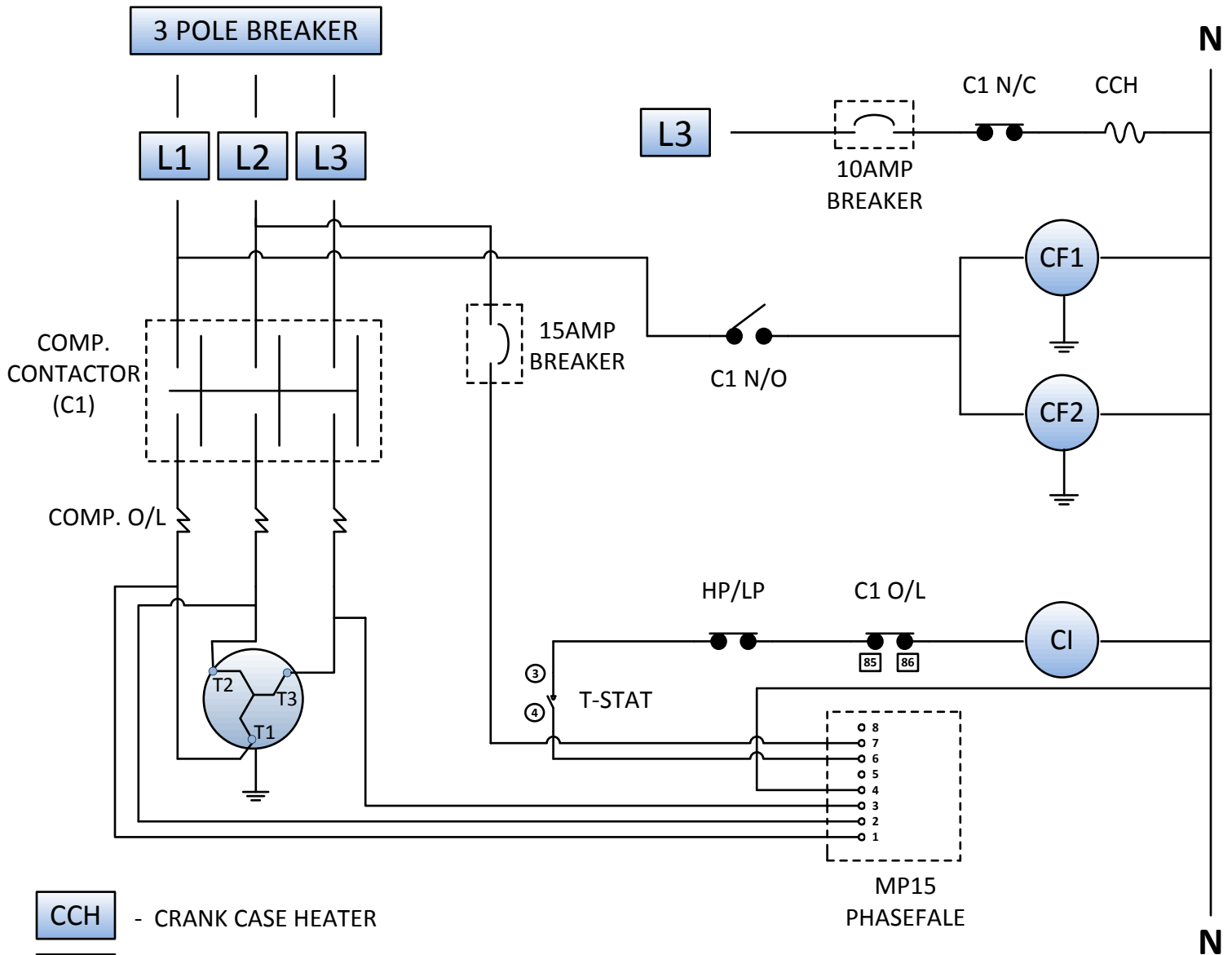
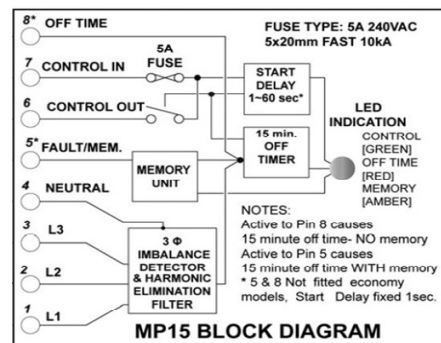


GLACIER PRO MANEUROP 415V UNIT WIRING DIAGRAM W/PHASEFALE



- CCH** - CRANK CASE HEATER
- CF** - CONDENSER FANS
- C1** - COMPRESSOR
- 3** - TERMINAL NUMBER
- 85** - CONNECTION NUMBER



ALL DIAGRAMS ARE INTENDED AS A GUIDE ONLY AND ARE TO BE USED ONLY BY A QUALIFIED ELECTRICAL TECHNICIAN. CIRCUMSTANCES IN THE FIELD MAY VARY AND AS SUCH NO RESPONSIBILITY IS TAKEN.