

# COMPLETE SYSTEMS DROP-IN UNITS

**avalanche** ❄️  
complete refrigeration systems

**GLACIER PRO**  
HEAT EXCHANGE TECHNOLOGY

“ The Glacier Pro ‘Avalanche’ range of high ambient drop-in refrigeration systems are a complete solution for sites in remote locations. They can easily be removed for offsite servicing and swift changeovers, meaning critical rooms can be up and running fast.

The Glacier Pro “Avalanche” drop-in series is ideal for small to medium sized rooms in kitchens, on farms and at petrol stations where serviceability may be an issue. Designed for high ambient, they can be utilised in a huge range of applications.

### FEATURES

- ▶ Embraco and Copeland scroll compressors - Reliable and quiet
- ▶ Glacier Pro high ambient condensers
- ▶ Easy installation
- ▶ Glacier Pro evaporator – Quality, energy efficiency and performance
- ▶ Plug and lead provided – Just plug into a power point
- ▶ Tested comprehensively in our facility
- ▶ Installation guide
- ▶ Preprogrammed controls

### OPTIONS

- ▶ Opening channel
- ▶ Drain kits
- ▶ Covers
- ▶ Wall mountable control
- ▶ Push in



GPAC22-1MD

## COLDROOM APPLICATIONS R404A MEDIUM TEMP/HIGH BACK PRESSURE

STOCK CODE	MODEL	COOLING CAPACITY kW -5SST		COMPRESSOR			CONDENSER FAN		EVAPORATOR FAN		UNIT	
		35AMB	40AMB	MODEL	VOLTAGE	HP	DIA mm	DIA mm	AIR VOLUME M³/H	MRA	dB (A) @3m	
AMC0040	GPAC13-1MD	1.35	1.24	NE9213GK	240	3/8	1 X 250	1 X 250	910	5.09	46	
AMC0060	GPAC17-1MD	1.53	1.39	T6217GK	240	1/2	1 X 250	1 X 250	910	5.59	46	
AMC0080	GPAC20-1MD	1.83	1.67	T6220GK	240	5/8	1 X 250	1 X 250	900	6.09	52	
AMC0100	GPAC26-1MD	2.45	2.25	NJ9226GK	240	3/4	1 X 300	1 X 250	890	7.48	55	
AMC0120	GPAC32-1MD	2.96	2.7	NJ9232GK	240	1-1/4	1 X 300	1 X 300	1630	8.37	55	
AMC0140	GPAC38-1MD	3.55	3.23	NJ9238GK	240	1-1/2	1 X 300	1 X 300	1600	11.27	56	
AMD0020	GPAF15-1MD	4.14	3.68	ZB15-PFJ	240	2	1 X 350	1 X 300	1570	13.92	57	
AMD0040	GPAF19-1MD	5.03	4.56	ZB19-PFJ	240	2.3	2 X 300	2 X 300	3260	14.6	57	
AMD0060	GPAF21-1MD	6.14	5.56	ZB21-PFJ	240	2.7	2 X 300	2 X 300	3200	18.2	64	
AMD0080	GPAF26-1MD	7.1	6.44	ZB26-PFJ	240	3	2 X 350	2 X 300	3140	20.24	64	
AMD0100	GPAF29-1MD	8.38	7.59	ZB29-PFJ	240	3.5	2 X 400	2 X 300	3140	26.16	66	
AMD0120	GPAF26-3MD	7.1	6.44	ZB26-TFD	415	3	2 X 350	2 X 300	3140	11.09	64	
AMD0140	GPAF29-3MD	8.38	7.59	ZB29-TFD	415	3.5	2 X 400	2 X 300	3140	12.96	66	

\* All noise level estimates are based at a distance of 3 metres ‘free field’ and are given as a guide only

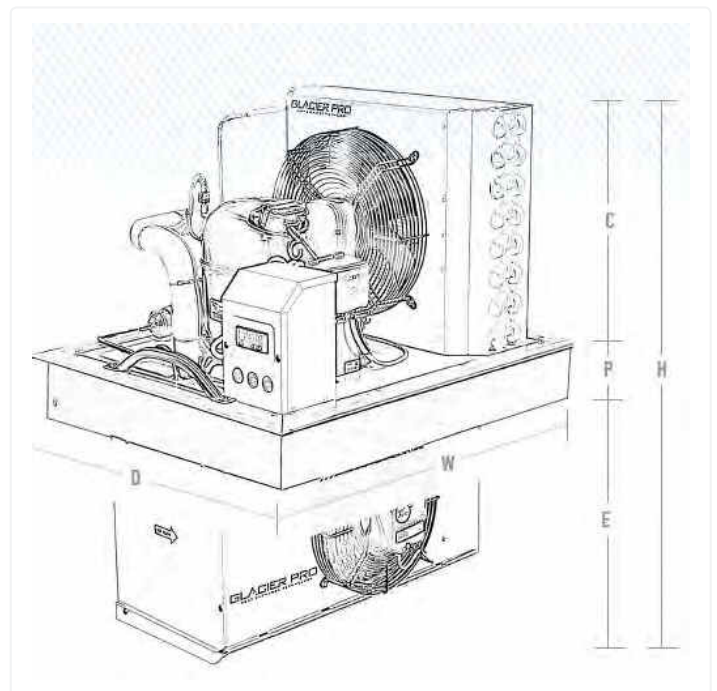
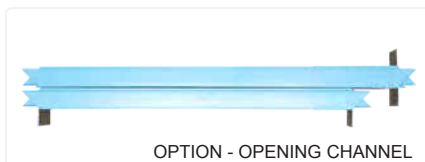
# COMPLETE SYSTEMS DROP-IN UNITS

## NOMENCLATURE

<b>GP</b>	<b>A</b>	<b>C</b>	<b>26</b>	<b>-</b>	<b>1</b>	<b>M</b>	<b>D</b>
GLACIER PRO	AVALANCHE SERIES	C - CHILL SERIES F - FROST SERIES B - BLIZZARD SERIES	COMPRESSOR MODEL	1 = 240v 3 = 415v	M - R404A MBP/HBP L = R404A LBP	D = DROP-IN S = SLIDE-IN	

## DIMENSIONS

STOCK CODE	MODEL	WIDTH	OVERALL		HEIGHT ABOVE PANEL	EVAPORATOR HEIGHT	PANEL THICKNESS	REQUIRED HOLE SIZE
		mm	DEPTH mm	HEIGHT mm				
		W	D	H	C	E	P	
AMC0040	GPAC13-1MD	750	660	865	395	370	100	730 X 640
AMC0060	GPAC17-1MD	750	660	865	395	370	100	730 X 640
AMC0080	GPAC20-1MD	750	660	865	395	370	100	730 X 640
AMC0100	GPAC26-1MD	750	660	925	455	370	100	730 X 640
AMC0120	GPAC32-1MD	840	660	1045	455	490	100	820 X 640
AMC0140	GPAC38-1MD	840	660	1052	462	490	100	820 X 640
AMD0020	GPAF15-1MD	840	660	1112	522	490	100	820 X 640
AMD0040	GPAF19-1MD	1430	840	1052	472	490	100	1410 x 820
AMD0060	GPAF21-1MD	1430	840	1052	472	490	100	1410 x 820
AMD0080	GPAF26-1MD	1430	840	1102	522	490	100	1410 x 820
AMD0100	GPAF29-1MD	1430	840	1102	522	490	100	1410 x 820
AMD0120	GPAF26-3MD	1430	840	1102	522	490	100	1410 x 820
AMD0140	GPAF29-3MD	1430	840	1102	522	490	100	1410 x 820



# COMPLETE SYSTEMS DROP-IN UNITS

**avalanche** ❄️  
complete refrigeration systems



GPAB108-3LD

## FEATURES

- Embraco, Copeland scroll, Maneurop NTZ compressors - Reliable and quiet
- Glacier Pro high ambient condensers
- Easy installation
- Glacier Pro evaporator – Quality, energy efficiency and performance.
- Plug and lead provided – Just plug into a power point.
- Tested comprehensively in our facility
- Installation Guide
- Preprogrammed controls
- Drain heater included in low temp models

## OPTIONS

- Opening channel
- Drain kits
- Covers
- Wall mountable control

## FREEZER APPLICATIONS R404A LOW BACK PRESSURE

STOCK CODE	MODEL	COOLING CAPACITY kW -23.3SST		COMPRESSOR			CONDENSER		EVAPORATOR				UNIT	
		35AMB	40AMB	MODEL	VOLTAGE	HP	FAN		AIR VOLUME M³/H	ELECTRIC DEFROST HEATERS			MRA	dB (A) @3m
							DIA mm	DIA mm		QTY	AMPS	TOTAL AMPS		
AMC0160	GPAC92-1LD	1.28	1.22	NJ2192GK	240	1-1/4	1 X 250	1 X 250	910	3	2.0	6.0	6.29	54
AMC0180	GPAC12-1LD	1.79	1.72	NJ2212GK	240	1-1/2	1 X 300	1 X 300	1630	3	2.4	7.2	8.97	55
AMD0160	GPAF19-1LD	2.31	2.05	ZB19-PFJ	240	2.3	1 X 300	1 X 300	3260	4	2.4	9.6	13.7	57
AMD0180	GPAF21-1LD	2.84	2.53	ZB21-PFJ	240	2.7	1 X 350	1 X 300	3200	4	2.4	9.6	17.52	64
AMD0200	GPAF26-1LD	3.29	2.92	ZB26-PFJ	240	3	2 X 300	2 X 300	3140	3	5.0	15.0	19.35	64
AMD0220	GPAF29-1LD	3.86	3.42	ZB29-PFJ	240	3.5	2 X 300	2 X 300	3140	3	5.0	15.0	25.3	66
AMD0240	GPAF26-3LD	3.29	2.92	ZB26-TFD	415	3	2 X 300	2 X 300	3140	3	5.0	15.0	10.2	64
AMD0260	GPAF29-3LD	3.86	3.42	ZB29-TFD	415	3.5	2 X 300	2 X 300	3140	3	5.0	15.0	12.1	66

## R404A LOW BACK PRESSURE - HEAVY DUTY

STOCK CODE	MODEL	COOLING CAPACITY kW -23.3SST		COMPRESSOR			CONDENSER		EVAPORATOR				UNIT	
		35AMB	40AMB	MODEL	VOLTAGE	HP	FAN		AIR VOLUME M³/H	ELECTRIC DEFROST HEATERS			MRA	dB (A) @3m
							DIA mm	DIA mm		QTY	AMPS	TOTAL AMPS		
AME0020	GPAB48-1LD	1.82	1.56	NTZ48-5	240	1.8	1 X 300	1 X 300	1630	3	2.4	7.2	15	61
AME0040	GPAB68-1LD	2.98	2.61	NTZ68-5	240	2	1 X 350	1 X 300	1630	4	2.4	9.6	16	62
AME0060	GPAB48-3LD	1.82	1.56	NTZ48-4	415	1.8	1 X 300	1 X 300	1630	3	2.4	7.2	4.8	61
AME0080	GPAB68-3LD	2.98	2.61	NTZ68-4	415	2	1 X 350	1 X 300	1630	4	2.4	9.6	8.4	62
AME0100	GPAB96-3LD	3.59	3.06	NTZ96-4	415	3.5	2 X 300	2 X 300	3260	3	5.0	15.0	10.1	64
AME0120	GPAB108-3LD	4.36	3.76	NTZ108-4	415	3.7	2 X 300	2 X 300	3260	4	5.0	20.0	12.1	64
AME0140	GPAB136-3LD	5.62	4.91	NTZ136-4	415	4	2 X 350	2 X 300	3200	4	5.0	20.0	14.3	64

\* All noise level estimates are based at a distance of 3 metres 'free field' and are given as a guide only

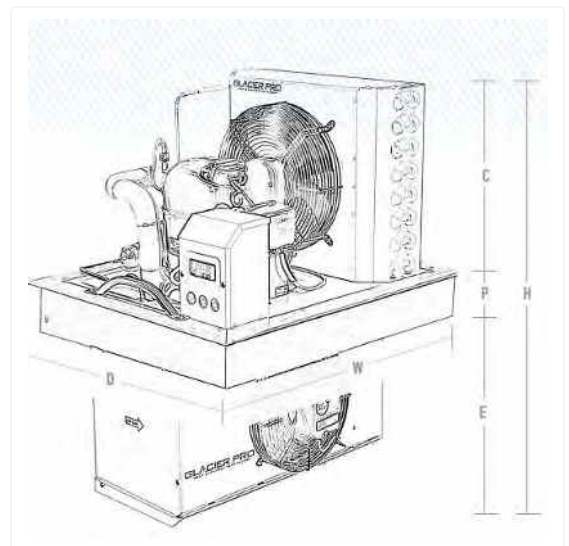
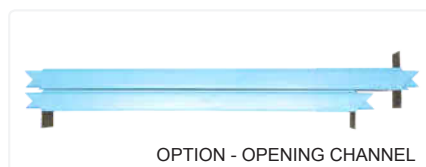
# COMPLETE SYSTEMS DROP-IN UNITS

## NOMENCLATURE

<b>GP</b>	<b>A</b>	<b>C</b>	<b>26</b>	<b>-</b>	<b>1</b>	<b>M</b>	<b>D</b>
GLACIER PRO	AVALANCHE SERIES	C - CHILL SERIES F - FROST SERIES B - BLIZZARD SERIES	COMPRESSOR MODEL		1 = 240v 3 = 415v	M - R404A MBP/HBP L = R404A LBP	D = DROP-IN S = SLIDE-IN

## DIMENSIONS

STOCK CODE	MODEL	OVERALL			HEIGHT ABOVE PANEL	EVAPORATOR HEIGHT	PANEL THICKNESS	REQUIRED HOLE SIZE
		WIDTH mm	DEPTH mm	HEIGHT mm				
		W	D	H	C	E	P	
AMC0160	GPAC92-1LD	750	660	865	395	370	100	730 X 640
AMC0180	GPAC12-1LD	840	660	1045	455	490	100	820 X 640
AMD0160	GPAF19-1LD	840	660	1052	472	490	100	820 X 640
AMD0180	GPAF21-1LD	840	660	1052	472	490	100	820 X 640
AMD0200	GPAF26-1LD	1430	840	1052	472	490	100	1410 x 820
AMD0220	GPAF29-1LD	1430	840	1052	472	490	100	1410 x 820
AMD0240	GPAF26-3LD	1430	840	1052	472	490	100	1410 x 820
AMD0260	GPAF29-3LD	1430	840	1052	472	490	100	1410 x 820
AME0020	GPAB48-1LD	840	660	1090	500	490	100	820 X 640
AME0040	GPAB68-1LD	840	660	1090	500	490	100	820 X 640
AME0060	GPAB48-3LD	840	660	1090	500	490	100	820 X 640
AME0080	GPAB68-3LD	840	660	1140	550	490	100	820 X 640
AME0100	GPAB96-3LD	1430	840	1090	500	490	100	1410 x 820
AME0120	GPAB108-3LD	1430	840	1090	500	490	100	1410 x 820
AME0140	GPAB136-3LD	1430	840	1140	550	490	100	1410 x 820



# COMPLETE SYSTEMS SLIDE-IN UNITS

**avalanche** ❄️  
complete refrigeration systems

**GLACIER PRO**  
HEAT EXCHANGE TECHNOLOGY

“

The Glacier Pro “Avalanche” slide-in series shares the same great features and versatility as the drop-in range, with the advantage of side installation for low ceiling applications such as commercial premises, residential areas and undercover car parks. This feature can also simplify retrofitting of rooms already in position.

### FEATURES

- Embraco and Copeland scroll compressors - Reliable and quiet
- Glacier Pro high ambient condensers
- Easy installation
- Glacier Pro evaporator – Quality, energy efficiency and performance.
- Plug and lead provided – Just plug into a power point.
- Tested comprehensively in our facility
- Installation guide
- Preprogrammed controls

### OPTIONS

- Opening channel
- Drain kits
- Covers
- Wall mountable control
- Push in



GPAC22-1MS

## COLDROOM APPLICATIONS

### R404A MEDIUM TEMP/HIGH BACK PRESSURE

STOCK CODE	MODEL	COOLING CAPACITY kW -5sst		COMPRESSOR			CONDENSER FAN		EVAPORATOR FAN			ELECTRIC DEFROST HEATERS			UNIT	
		35AMB	40AMB	MODEL	VOLTAGE	HP	DIA mm	DIA mm	AIR VOLUME M³/H	QTY	AMPS	TOTAL AMPS	MRA	dB (A) @3m		
AMH0040	GPAC13-1MS	1.35	1.24	NE9213GK	240	3/8	1 X 250	1 X 250	910	-	-	-	5.09	46		
AMH0060	GPAC17-1MS	1.53	1.39	T6217GK	240	1/2	1 X 250	1 X 250	910	-	-	-	5.59	46		
AMH0080	GPAC22-1MS	1.83	1.67	T6220GK	240	5/8	1 X 250	1 X 250	900	-	-	-	6.09	52		
AMH0100	GPAC26-1MS	2.45	2.25	NJ9226GK	240	3/4	1 X 300	1 X 250	890	-	-	-	7.48	55		
AMH0120	GPAC32-1MS	2.96	2.7	NJ9232GK	240	1-1/4	1 X 300	1 X 300	1630	-	-	-	8.37	55		
AMH0140	GPAC38-1MS	3.55	3.23	NJ9238GK	240	1-1/2	1 X 300	1 X 300	1600	-	-	-	11.27	56		
AMI0020	GPAF15-1MS	4.14	3.68	ZB15-PFJ	240	2	1 X 350	1 X 300	1570	-	-	-	13.92	57		
AMI0040	GPAF19-1MS	5.03	4.56	ZB19-PFJ	240	2.3	2 X 300	2 X 300	3260	-	-	-	14.6	57		
AMI0060	GPAF21-1MS	6.14	5.56	ZB21-PFJ	240	2.7	2 X 300	2 X 300	3200	-	-	-	18.2	64		
AMI0080	GPAF26-1MS	7.1	6.44	ZB26-PFJ	240	3	2 X 350	2 X 300	3140	-	-	-	20.24	64		
AMI0090	GPAF29-1MS	8.38	7.59	ZB29-PFJ	240	3.5	2 X 400	2 X 300	3140	-	-	-	26.16	66		
AMI0100	GPAF26-3MS	7.1	6.44	ZB26-TFD	415	3	2 X 350	2 X 300	3140	-	-	-	11.09	64		
AMI0180	GPAF29-3MS	8.38	7.59	ZB29-TFD	415	3.5	2 X 400	2 X 300	3140	-	-	-	12.96	66		

\* All noise level estimates are based at a distance of 3 metres 'free field' and are given as a guide only

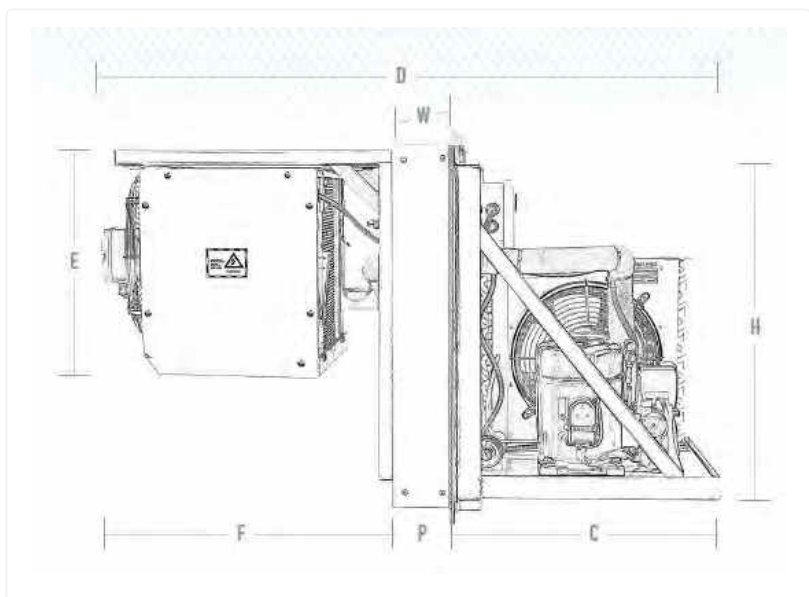
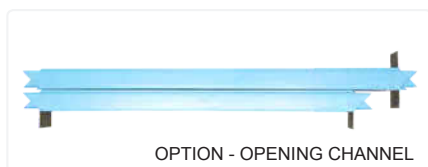
# COMPLETE SYSTEMS SLIDE-IN UNITS

## NOMENCLATURE

<b>GP</b>	<b>A</b>	<b>C</b>	<b>26</b>	<b>-</b>	<b>1</b>	<b>M</b>	<b>D</b>
GLACIER PRO	AVALANCHE SERIES	C - CHILL SERIES F - FROST SERIES B - BLIZZARD SERIES	COMPRESSOR MODEL		1 = 240v 3 = 415v	M - R404A MBP/HBP L = R404A LBP	D = DROP-IN S = SLIDE-IN

## DIMENSIONS

STOCK CODE	MODEL	OVERALL			EVAPORATOR HEIGHT	INTERNAL DEPTH	UNIT DEPTH	PANEL THICKNESS	REQUIRED HOLE SIZE
		WIDTH mm	DEPTH mm	HEIGHT mm					
		W	D	H					
AMH0040	GPAC13-1MS	860	1110	670	370	550	450	100	730 X 640
AMH0060	GPAC17-1MS	860	1110	670	370	550	450	100	730 X 640
AMH0080	GPAC22-1MS	860	1110	670	370	550	450	100	730 X 640
AMH0100	GPAC26-1MS	950	1230	670	370	550	570	100	730 X 640
AMH0120	GPAC32-1MS	950	1240	670	490	560	570	100	820 X 640
AMH0140	GPAC38-1MS	950	1240	670	490	560	570	100	820 X 640
AMI0020	GPAF15-1MS	950	1435	670	490	560	765	100	820 X 640
AMI0040	GPAF19-1MS	1540	1535	850	490	560	865	100	1410 x 820
AMI0060	GPAF21-1MS	1540	1535	850	490	560	865	100	1410 x 820
AMI0080	GPAF26-1MS	1540	1585	850	490	560	915	100	1410 x 820
AMI0090	GPAF26-3MS	1540	1585	850	490	560	915	100	1410 x 820
AMI0100	GPAF29-1MS	1540	1585	850	490	560	915	100	1410 x 820
AMI0180	GPAF29-3MS	1540	1585	850	490	560	915	100	1410 x 820



# COMPLETE SYSTEMS SLIDE-IN UNITS

**avalanche** ❄️  
complete refrigeration systems



GPAC22-1MS

## FEATURES

- ▶ Embraco, Copeland scroll, Maneurop NTZ compressors - Reliable and quiet
- ▶ Glacier Pro high ambient condensers
- ▶ Easy installation
- ▶ Glacier Pro evaporator – Quality, energy efficiency and performance.
- ▶ Plug and lead provided – Just plug into a power point.
- ▶ Tested comprehensively in our facility
- ▶ Installation guide
- ▶ Preprogrammed controls
- ▶ Drain heater included in low temp models

## OPTIONS

- ▶ Opening channel
- ▶ Drain kits
- ▶ Covers
- ▶ Wall mountable control
- ▶ Push in

## FREEZER APPLICATIONS R404A LOW BACK PRESSURE

STOCK CODE	MODEL	COOLING CAPACITY kW -23.3sst		COMPRESSOR			CONDENSER		EVAPORATOR				UNIT	
		35AMB	40AMB	MODEL	VOLTAGE	HP	FAN		AIR VOLUME M <sup>3</sup> /H	ELECTRIC DEFROST HEATERS			MRA	dB (A) @3m
							DIA mm	DIA mm		QTY	AMPS	TOTAL AMPS		
AMH0160	GPAC92-1LS	1.28	1.22	NJ2192GK	240	1-1/4	1 X 250	1 X 250	910	3	2.0	6.0	6.29	54
AMH0180	GPAC12-1LS	1.79	1.72	NJ2212GK	240	1-1/2	1 X 300	1 X 300	1630	3	2.4	7.2	8.97	55
AMI0280	GPAF19-1LS	2.31	2.05	ZB19-PFJ	240	2.3	1 X 300	1 X 300	3260	4	2.4	9.6	13.7	57
AMI0300	GPAF21-1LS	2.84	2.53	ZB21-PFJ	240	2.7	1 X 350	1 X 300	3200	4	2.4	9.6	17.52	64
AMI0320	GPAF26-1LS	3.29	2.92	ZB26-PFJ	240	3	2 X 300	1 X 300	3140	3	5.0	15.0	19.35	64
AMI0340	GPAF29-1LS	3.86	3.42	ZB29-PFJ	240	3.5	2 X 300	2 X 300	3140	3	5.0	15.0	25.3	66
AMI0380	GPAF26-3LS	3.29	2.92	ZB26-TFD	415	3	2 X 300	1 X 300	3140	3	5.0	15.0	10.2	64
AMI0400	GPAF29-3LS	3.86	3.42	ZB29-TFD	415	3.5	2 X 300	2 X 300	3140	3	5.0	15.0	12.1	66

## R404A LOW BACK PRESSURE - HEAVY DUTY

STOCK CODE	MODEL	COOLING CAPACITY kW -23.3sst		COMPRESSOR			CONDENSER		EVAPORATOR				UNIT	
		35AMB	40AMB	MODEL	VOLTAGE	HP	FAN		AIR VOLUME M <sup>3</sup> /H	ELECTRIC DEFROST HEATERS			MRA	dB (A) @3m
							DIA mm	DIA mm		QTY	AMPS	TOTAL AMPS		
AMJ0040	GPAB48-1LS	1.82	1.56	NTZ48-5	240	1.8	1 X 300	1 X 300	1630	3	2.4	7.2	15	61
AMJ0060	GPAB68-1LS	2.98	2.61	NTZ68-5	240	2	1 X 350	1 X 300	1630	4	2.4	9.6	16	62
AMJ0080	GPAB48-3LS	1.82	1.56	NTZ48-4	415	1.8	1 X 300	1 X 300	1630	3	2.4	7.2	4.8	61
AMJ0100	GPAB68-3LS	2.98	2.61	NTZ68-4	415	2	1 X 350	1 X 300	1630	4	2.4	9.6	8.4	62
AMJ0120	GPAB96-3LS	3.59	3.06	NTZ96-4	415	3.5	2 X 300	2 X 300	3260	3	5.0	15.0	10.1	64
AMJ0140	GPAB108-3LS	4.36	3.76	NTZ108-4	415	3.7	2 X 300	2 X 300	3260	4	5.0	20.0	12.1	64
AMJ0160	GPAB136-3LS	5.62	4.91	NTZ136-4	415	4	2 X 350	2 X 300	3200	4	5.0	20.0	14.3	64

\* All noise level estimates are based at a distance of 3 metres 'free field' and are given as a guide only

# COMPLETE SYSTEMS SLIDE-IN UNITS

## NOMENCLATURE

<b>GP</b>	<b>A</b>	<b>C</b>	<b>26</b>	<b>-</b>	<b>1</b>	<b>M</b>	<b>D</b>
GLACIER PRO	AVALANCHE SERIES	C - CHILL SERIES F - FROST SERIES B - BLIZZARD SERIES	COMPRESSOR MODEL		1 = 240v 3 = 415v	M - R404A MBP/HBP L = R404A LBP	D = DROP-IN S = SLIDE-IN

## DIMENSIONS

STOCK CODE	MODEL	OVERALL			EVAPORATOR HEIGHT E	INTERNAL DEPTH F	UNIT WIDTH C	PANEL THICKNESS P	REQUIRED HOLE SIZE
		WIDTH mm W	DEPTH mm D	HEIGHT mm H					
AMH0160	GPAC92-1LS	860	1110	670	370	550	450	100	730 X 640
AMH0180	GPAC12-1LS	950	1240	670	490	560	570	100	820 X 640
AMI0280	GPAF19-1LS	950	1435	670	490	560	765	100	820 X 640
AMI0300	GPAF21-1LS	950	1435	670	490	560	765	100	820 X 640
AMI0320	GPAF26-1LS	1540	1535	850	490	560	865	100	1410 x 820
AMI0340	GPAF29-1LS	1540	1535	850	490	560	865	100	1410 x 820
AMI0380	GPAF26-3LS	1540	1535	850	490	560	865	100	1410 x 820
AMI0400	GPAF29-3LS	1540	1535	850	490	560	865	100	1410 x 820
AMJ0040	GPAB48-1LS	950	1435	670	490	560	765	100	820 X 640
AMJ0060	GPAB68-1LS	950	1435	670	490	560	765	100	820 X 640
AMJ0080	GPAB48-3LS	950	1435	670	490	560	765	100	820 X 640
AMJ0100	GPAB68-3LS	950	1435	670	490	560	765	100	820 X 640
AMJ0120	GPAB96-3LS	1540	1535	850	490	560	865	100	1410 X 820
AMJ0140	GPAB108-3LS	1540	1535	850	490	560	865	100	1410 X 820
AMJ0160	GPAB136-3LS	1540	1585	850	490	560	915	100	1410 X 820

